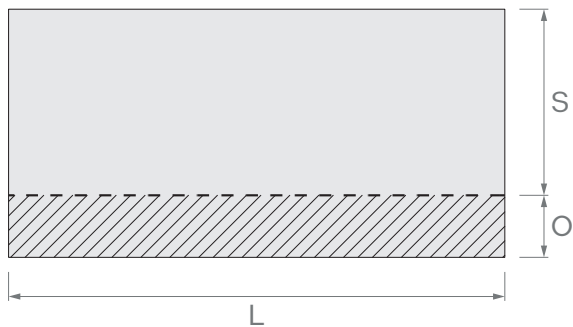


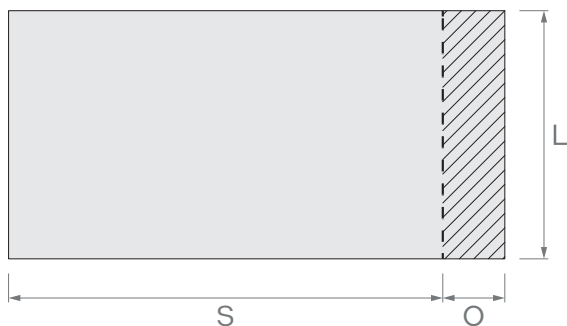
Island overhangs

I. Island overhangs without cut-out/drill hole



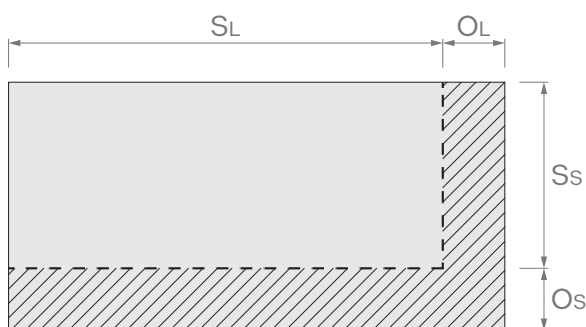
1. Long side overhang

	12 mm	20 mm	30 mm
O	≤ 200 mm [8"]	≤ 600 mm [24"]	≤ 1,000 mm [39"]
S	≥ 2 · O		
L	≥ 600 mm [24"]		



2. Short side overhang

	12 mm	20 mm	30 mm
O	≤ 200 mm [8"]	≤ 600 mm [24"]	≤ 1,000 mm [39"]
S	≥ 2 · O		
L	≥ 600 mm [24"]		



3. L-shaped overhang

	12 mm	20 mm	30 mm
OL	≤ 200 mm [8"]	≤ 500 mm [20"]	≤ 900 mm [36"]
SL	≥ 2 · OL		
Os	≤ 200 mm [8"]	≤ 500 mm [20"]	≤ 900 mm [36"]
Ss	≥ 2 · Os		

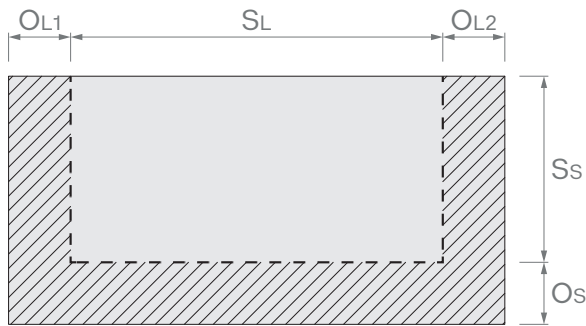
→ (O) Overhang; (S) Support; (L) Overhang length;
(OL) Long side overhang; (Os) Short side overhang;
(SL) Long side support; (Ss) Short side support.
→ Maximum concentrated **static** load = 100 Kg [220 lb].



→ Halve the values for the following active colors:
Alpina White 08, Blanco Maple 14, Desert Silver, Sienna Ridge 12
and the Stellar series.

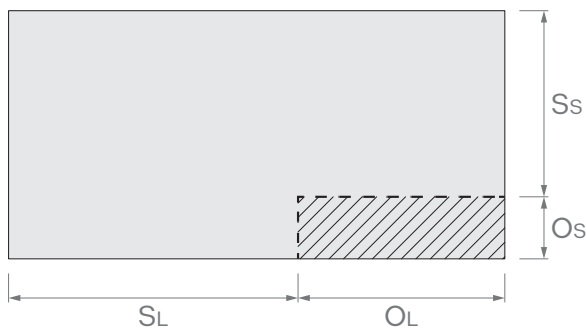
Island overhangs

I. Island overhangs without cut-out/drill hole



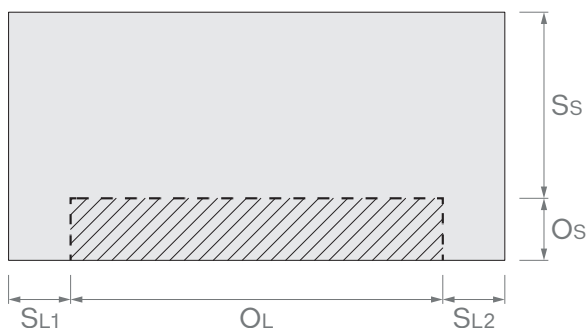
4. U-shaped overhang

	12 mm	20 mm	30 mm
OL1, L2	≤ 200 mm [8"]	≤ 500 mm [20"]	≤ 900 mm [36"]
SL	≥ 2 · (OL1 + OL2)		
Os	≤ 200 mm [8"]	≤ 500 mm [20"]	≤ 900 mm [36"]
Ss	≥ 2 · Os		



5. Partial overhang

	12 mm	20 mm	30 mm
OL	-	≤ 1,600 mm [63"]	
SL	-	≥ OL	
Os	-	≤ 500 mm [20"]	≤ 900 mm [36"]
Ss	-	≥ Os	



6. Overhang between supports

	12 mm	20 mm	30 mm
OL	≤ 1,000 mm [39"]	≤ 2,000 mm [79"]	≤ 3,000 mm [118"]
SL1, L2*	≥ 100 mm [4"]	≥ 50 mm [2"]	
Os	≤ 200 mm [8"]	≤ 800 mm [31 1/2"]	
Ss	≥ Os		

→ (*) Below these values, it is considered to be '1. Long side overhang'.

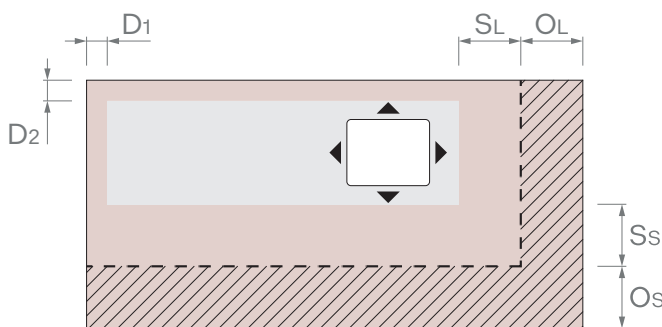
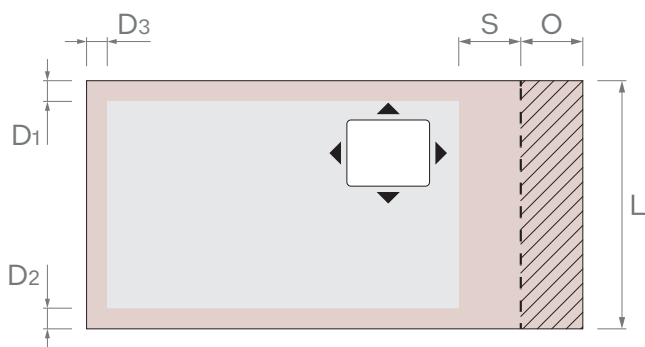
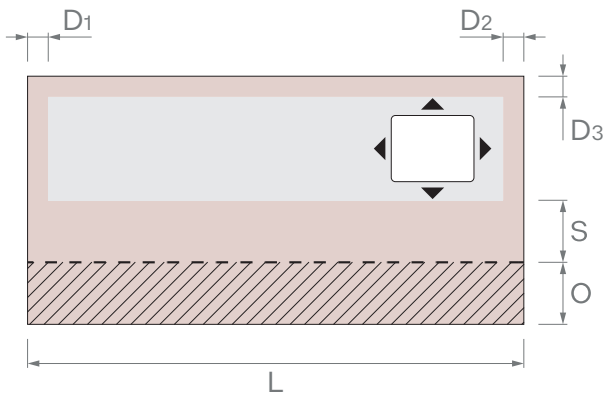
→ (O) Overhang; (S) Support; (L) Overhang length;
(OL) Long side overhang; (Os) Short side overhang;
(SL) Long side support; (Ss) Short side support.
→ Maximum concentrated **static** load = 100 Kg [220 lb].



→ Halve the values for the following active colors:
Alpina White 08, Blanco Maple 14, Desert Silver, Sienna Ridge 12
and the Stellar series.

Island overhangs

II. Island overhangs with cut-out/drill hole



1. Long side overhang

	12 mm	20 mm	30 mm
O	≤ 200 mm [8"]	≤ 600 mm [24"]	≤ 1,000 mm [39"]
S	≥ O		
L	≥ 600 mm [24"]		
D _{1,2}	≥ 150 mm [6"]		
D ₃	≥ 100 mm [4"]		


2. Short side overhang

	12 mm	20 mm	30 mm
O	≤ 200 mm [8"]	≤ 600 mm [24"]	≤ 1,000 mm [39"]
S	≥ O		
L	≥ 600 mm [24"]		
D _{1,2}	≥ 100 mm [4"]		
D ₃	≥ 150 mm [6"]		

3. L-shaped overhang

	12 mm	20 mm	30 mm
O _{L, s}	≤ 200 mm [8"]	≤ 500 mm [20"]	≤ 900 mm [36"]
S _{L, s}	≥ O _{L, s}		
D ₁	≥ 150 mm [6"]		
D ₂	≥ 100 mm [4"]		

- (●) Do not make cut-outs or drill holes in this area.
- (O) Overhang; (S) Support; (L) Overhang length;
- (OL) Long side overhang; (Os) Short side overhang;
- (SL) Long side support; (Ss) Short side support;
- (D₁), (D₂), (D₃), (D₄) Distance from cut-out to joint.
- Maximum concentrated **static** load = 100 Kg [220 lb].

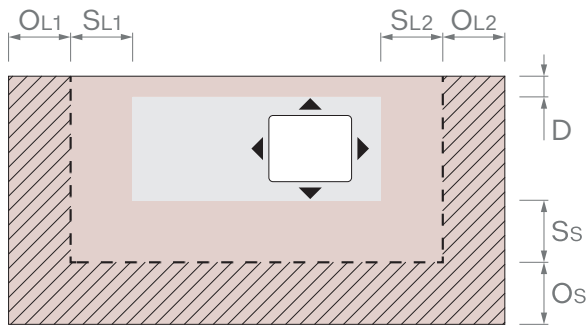


→ Halve the values for the following active colors: Alpina White 08, Blanco Maple 14, Desert Silver, Sienna Ridge 12 and the Stellar series.

→ If more than one cut-out/drill-hole is made, the thickness of the countertop shall be 20 mm or 30 mm, and the minimum distance between them shall be 100 mm [4"].

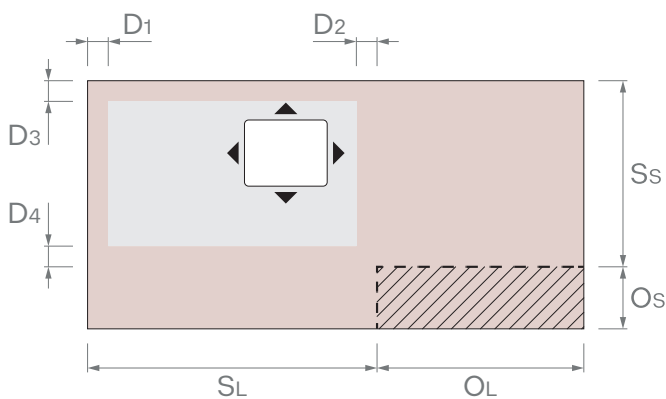
Island overhangs

II. Island overhang with cut-out/drill hole



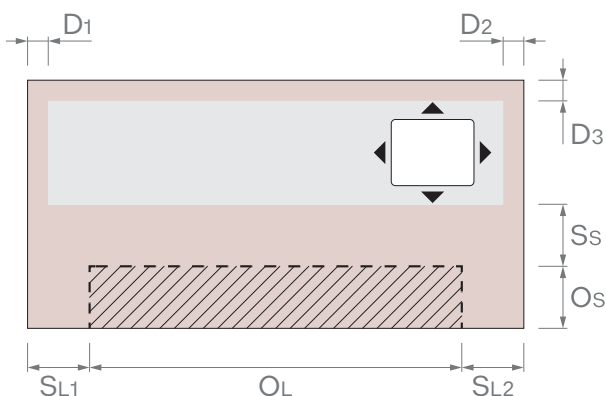
4. U-shaped overhang

	12 mm	20 mm	30 mm
OL1, L2	≤ 200 mm [8"]	≤ 500 mm [20"]	≤ 900 mm [36"]
SL1, L2	≥ OL1, L2		
Os	≤ 200 mm [8"]	≤ 500 mm [20"]	≤ 900 mm [36"]
Ss	≥ Os		
D	≥ 100 mm [4"]		



5. Partial overhang

	12 mm	20 mm	30 mm
OL	-	≤ 1,600 mm [63"]	
SL	-	≥ OL	
Os	-	≤ 500 mm [20"]	≤ 900 mm [36"]
Ss	-	≥ Os	
D1,2,3,4	-	≥ 100 mm [4"]	



6. Overhang between supports

	12 mm	20 mm	30 mm
OL	≤ 1,000 mm [39"]	≤ 2,000 mm [79"]	≤ 3,000 mm [118"]
SL1, L2*	≥ 100 mm [4"]		≥ 50 mm [2"]
Os	≤ 200 mm [8"]	≤ 800 mm [31 1/2"]	
Ss	≥ Os		
D1, 2	≥ 150 mm [6"]		
D3	≥ 100 mm [4"]		

→ (*) Below these values, it is considered to be '1. Long side overhang'.

- (●) Do not make cut-outs or drill holes in this area.
- (O) Overhang; (S) Support; (L) Overhang length;
- (OL) Long side overhang; (Os) Short side overhang;
- (SL) Long side support; (Ss) Short side support;
- (D1), (D2), (D3), (D4) Distance from cut-out to joint.
- Maximum concentrated **static load** = 100 Kg [220 lb].

→ Halve the values for the following active colors: Alpina White 08, Blanco Maple 14, Desert Silver, Sienna Ridge 12 and the Stellar series.

→ If more than one cut-out/drill-hole is made, the thickness of the countertop shall be 20 mm or 30 mm, and the minimum distance between them shall be 100 mm [4"].